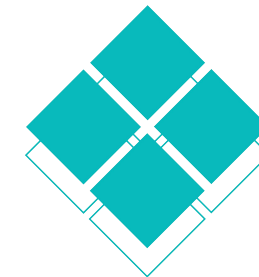


Marmiline, Engineered Stone.

A dynamic and universal solution, designed to perfectly complete any space.



The perfect fit for bathrooms,
showers and doorways.





Marmiline collection

A dynamic and universal solution: pre-sealed*, stain resistant, and designed to perfectly complete any space.

A universal need for every bathroom installation; designers, installers and homeowners have been endlessly seeking a solution for finishing their bathroom tile installations. When installing a shower or tub surround there will ultimately be an area such as the shower curb, or wall where a field tile will need to transitioned or capped. Designed specifically as a finish for shower curbs and doorway thresholds, we also created accessories such as shower benches, corner shelves, and niches.

* Sealing does not prevent etching – avoid acids, strong chemicals and sodium softened water which can etch Marmiline, marble, and other calcium-based stones. Reseal as needed for prolonged performance.

Colors at a glance



Snow



Ivory



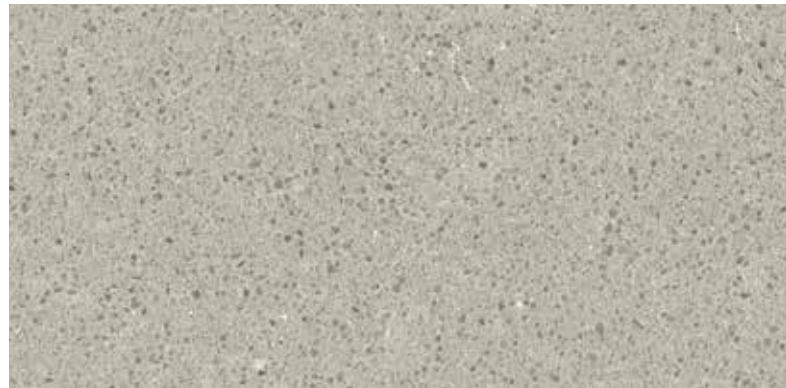
Mist



Pearl



Ash



Fog



Shadow



Midnight

Formats and finishes at a glance



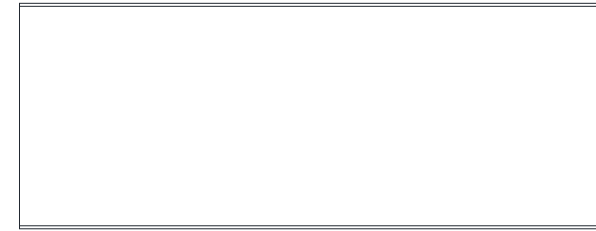
6 x 94.5 in / 15.2 x 240 cm
Sill / Curb
Polished



6 x 76 in / 15.2 x 193 cm
Sill / Curb
Polished



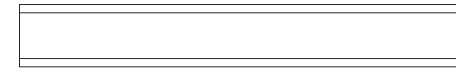
4.5 x 62 in / 11.5 x 157.5 cm
Sill / Curb
Polished



18 x 47.2 in / 45.7 x 119.8 cm
Bench
Polished



14 x 36 in / 35.5 x 91.4 cm
Bench
Polished



5 x 36 in / 12.7 x 91.4 cm
Large Bevel Threshold
Polished



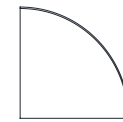
4 x 36 in / 10.2 x 91.4 cm
Threshold
Polished



11.8 x 27.6 in / 30 x 70 cm
Niche Back Panel
Polished

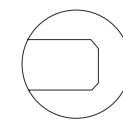


3.5 x 36 in / 89 x 91.4 cm
Niche Sill
Polished

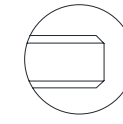


8.9 in / 22.6 cm
Corner Shelf
Polished

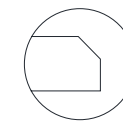
Bevels at a glance



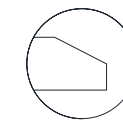
Sill Bevel



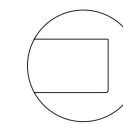
Bench Bevel



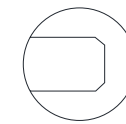
Threshold Bevel



Large Bevel Threshold



Niche Sill + Back Panel Bevel



Corner Shelf Bevel



18 x 47.2 Marmiline Ivory Polished Engineered Stone Bench

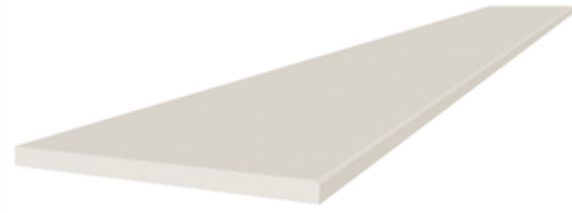


3.5 x 36 Marmiline Mist Polished Engineered Stone Niche Sill
11.8 x 27.6 Marmiline Mist Polished Engineered Stone Niche Back Panel

Marmiline, Ash



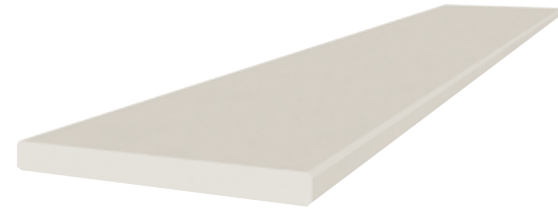
18 x 47.2 Bench
Polished: B1847A



14 x 36 Bench
Polished: B1436A
Special Order



6 x 94.5 Sill / Curb
Polished: WS694A



6 x 76 Sill / Curb
Polished: WS676A



4.5 x 62 Sill / Curb
Polished: WS462A
Special Order



5 x 36 Large Bevel Threshold
Polished: TH536A



11.8 x 27.6 Niche Back Panel
Polished: NBP1127A



3.5 x 36 Niche Sill
Polished: NS336A



4 x 36 Threshold
Polished: TH436A



9" Corner Shelf
Polished: CS9A

Marmiline, Fog



18 x 47.2 Bench
Polished: B1847F



14 x 36 Bench
Polished: B1436F
Special Order



6 x 94.5 Sill / Curb
Polished: WS694F



6 x 76 Sill / Curb
Polished: WS676F



4.5 x 62 Sill / Curb
Polished: WS462F
Special Order



5 x 36 Large Bevel Threshold
Polished: TH536F



11.8 x 27.6 Niche Back
Panel Polished: NBP1127F



3.5 x 36 Niche Sill
Polished: NS336A



4 x 36 Threshold
Polished: TH436F



9" Corner Shelf
Polished: CS9F

Marmiline, Ivory



18 x 47.2 Bench
Polished: B1847I



14 x 36 Bench
Polished: B1436I
Special Order



6 x 94.5 Sill / Curb
Polished: WS694I



6 x 76 Sill / Curb
Polished: WS676I



4.5 x 62 in Sill / Curb
Polished: WS462I
Special Order



5 x 36 Large Bevel Threshold
Polished: TH536I



11.8 x 27.6 Niche Back Panel
Polished: NBP1127I



3.5 x 36 Niche Sill
Polished: NS336I



4 x 36 Threshold
Polished: TH436I



9" Corner Shelf
Polished: CS9I

Marmiline, Midnight



18 x 47.2 Bench
Polished: B1847MI



14 x 36 Bench
Polished: B1436MI
Special Order



6 x 94.5 Sill / Curb
Polished: WS694MI



6 x 76 Sill / Curb
Polished: WS676MI



4.5 x 62 Sill / Curb
Polished: WS462MI
Special Order



5 x 36 Large Bevel Threshold
Polished: TH536MI



11.8 x 27.6 Niche Back Panel
Polished: NBP1127MI



3.5 x 36 Niche Sill
Polished: NS336MI



4 x 36 Threshold
Polished: TH436MI



9" Corner Shelf
Polished: CS9MI

Marmiline, *Mist*



18 x 47.2 Bench
Polished: B1847M



14 x 36 Bench
Polished: B1436M
Special Order



6 x 94.5 Sill / Curb
Polished: WS694M



6 x 76 in Sill / Curb
Polished: WS676M



4.5 x 62 in Sill / Curb
Polished: WS462M
Special Order



5 x 36 Large Bevel Threshold
Polished: TH536M



11.8 x 27.6 Niche Back Panel
Polished: NBP1127M



3.5 x 36 Niche Sill
Polished: NS336M



4 x 36 Threshold
Polished: TH436M



9" Corner Shelf
Polished: CS9M

Marmiline, *Pearl*



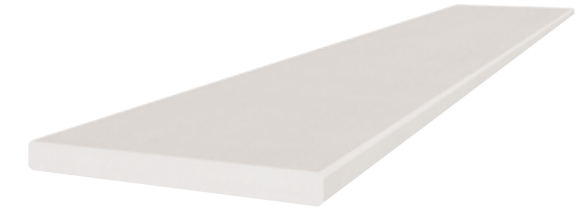
18 x 47.2 Bench
Polished: B1847P



14 x 36 Bench
Polished: B1436P
Special Order



6 x 94.5 Sill / Curb
Polished: WS694P



6 x 76 Sill / Curb
Polished: WS676P



4.5 x 62 Sill / Curb
Polished: WS462P
Special Order



5 x 36 Large Bevel Threshold
Polished: TH536P



11.8 x 27.6 Niche Back Panel
Polished: NBP1127P



3.5 x 36 Niche Sill
Polished: NS336P



4 x 36 Threshold
Polished: TH436P



9" Corner Shelf
Polished: CS9P

Marmiline, Shadow



18 x 47.2 Bench
Polished: B1847SH



14 x 36 Bench
Polished: B1436SH
Special Order



6 x 94.5 Sill / Curb
Polished: WS694SH



6 x 76 Sill / Curb
Polished: WS676SH



4.5 x 62 Sill / Curb
Polished: WS462SH
Special Order



5 x 36 Large Bevel Threshold
Polished: TH536SH



11.8 x 27.6 Niche Back Panel
Polished: NBP1127SH



3.5 x 36 Niche Sill
Polished: NS336SH



4 x 36 Threshold
Polished: TH436SH



9" Corner Shelf
Polished: CS9SH

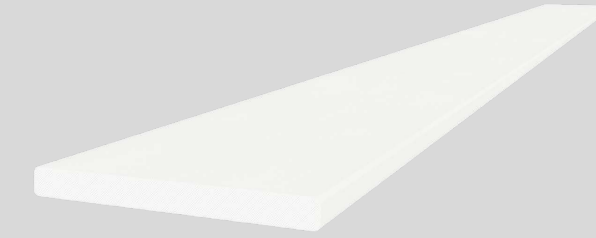
Marmiline, Snow



18 x 47.2 Bench
Polished: B1847SN



14 x 36 Bench
Polished: B1436SN
Special Order



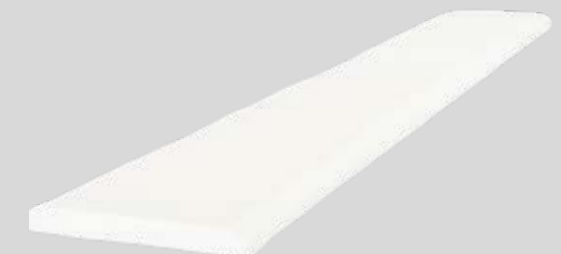
6 x 94.5 Sill / Curb
Polished: WS694SN



6 x 76 Sill / Curb
Polished: WS676SN



4.5 x 62 Sill / Curb
Polished: WS462SN
Special Order



5 x 36 Large Bevel Threshold
Polished: TH536SN



11.8 x 27.6 Niche Back Panel
Polished: NBP1127SN



3.5 x 36 Niche Sill
Polished: NS336SN

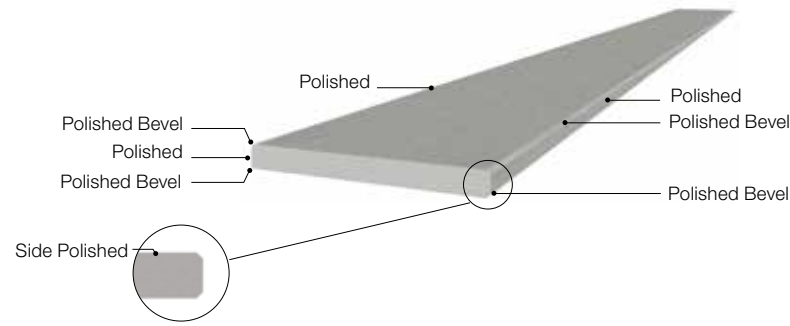


4 x 36 Threshold
Polished: TH436SN



9" Corner Shelf
Polished: CS9SN

Marmiline, Engineered Stone Sill



Pre-Sealed:

Marmiline is pre-sealed to improve resistance to common staining agents. Sealing does not prevent etching – avoid acids, strong chemicals and sodium softened water which can etch Marmiline, marble, and other calcium-based stones. Reseal as needed for prolonged performance.

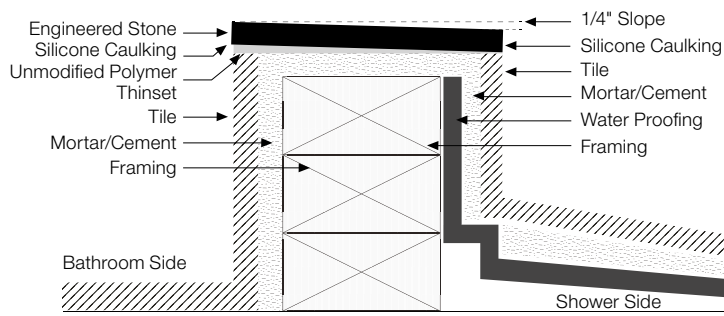
General Care & Maintenance:

- Wipe up any spills immediately and clean the area using a damp cloth.
- Inspect all product prior to installation by removing plastic for any color/shade variation and verifying size, thickness, bevel, and polishing defects.
- Do not expose engineered stone to: acidic or alkali products, dyes or color-treating products, or products containing any oils or powders.
- Daily cleaning: use a soft cloth with warm water and small amount of mild PH neutral non-pigmented cleaner (non-abrasive and does not contain bleach).
- Do not use abrasives or any products that may scratch the surface.
- For light stains, gently apply rubbing alcohol to the stain. Rinse and wipe dry. Reseal after this method.
- For heavier stains, soak a cloth with a 50/50 mix of bleach and water. Leave on top of the stain for 10 minutes, but no longer than 30 minutes. Rinse and wipe dry. Reseal after this method.
- Do not expose engineered stone to sudden and rapid temperature changes.
- Note: engineered stone products are not recommended for steam showers.
- Contact a professional stone restoration company to treat any engineered stone with stubborn stains and/or etching.

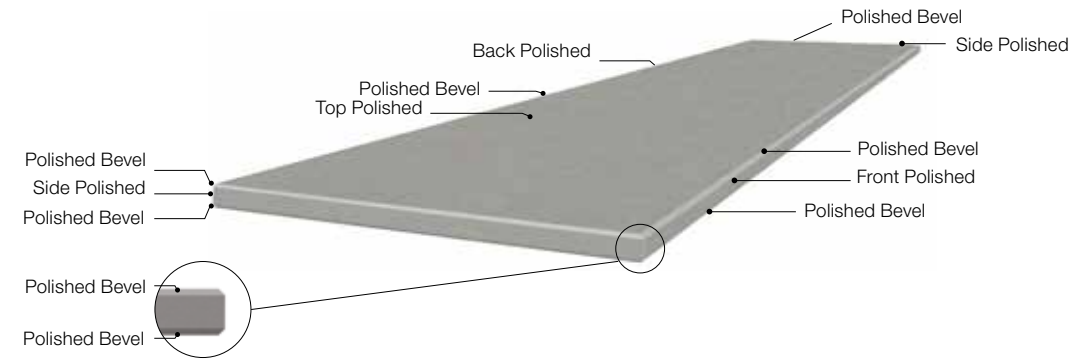
How to install:

1. Cut the engineered stone (face side up) to the required dimensions with a circular saw, or wet saw. DO NOT USE DRY CUTTING METHODS. Wear a respirator when cutting, grinding, or polishing. Children should not be present during cutting, grinding, or polishing.
2. Clean surface thoroughly prior to adhering the threshold to the shower curb.
3. Maintain plastic covering to protect during installation.
4. Adhere threshold to curb using a unmodified polymer thinset.
5. Build up outside edge of curb with thinset to create a 1/4" slope towards the inside of the shower for proper drainage when using as a shower sill.
6. Caulk at the walls and under the sill using silicone caulking to prevent water leaks.

NOTE: NO CLAIMS WILL BE ACCEPTED AFTER THE MATERIAL HAS BEEN INSTALLED.



Marmiline, Engineered Stone Bench



Pre-Sealed:

Marmiline is pre-sealed to improve resistance to common staining agents. Sealing does not prevent etching – avoid acids, strong chemicals and sodium softened water which can etch Marmiline, marble, and other calcium-based stones. Reseal as needed for prolonged performance.

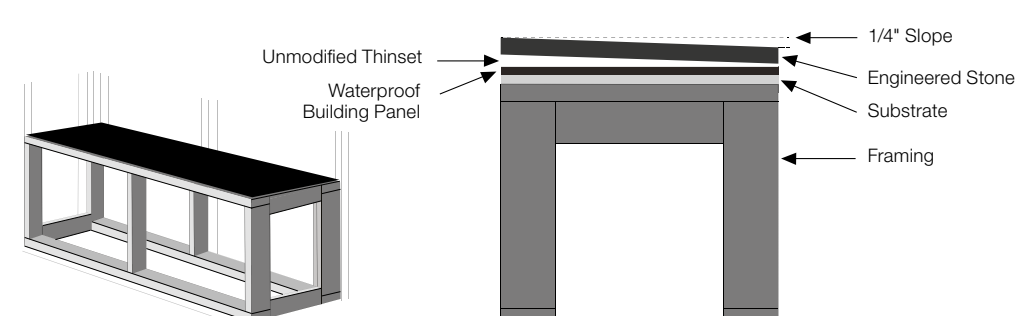
General Care & Maintenance:

- Wipe up any spills immediately and clean the area using a damp cloth.
- Inspect all product prior to installation by removing plastic for any color/shade variation and verifying size, thickness, bevel, and polishing defects.
- Do not expose engineered stone to: acidic or alkali products, dyes or color-treating products, or products containing any oils or powders.
- Daily cleaning: use a soft cloth with warm water and small amount of mild PH neutral non-pigmented cleaner (non-abrasive and does not contain bleach).
- Do not use abrasives or any products that may scratch the surface.
- For light stains, gently apply rubbing alcohol to the stain. Rinse and wipe dry. Reseal after this method.
- For heavier stains, soak a cloth with a 50/50 mix of bleach and water. Leave on top of the stain for 10 minutes, but no longer than 30 minutes. Rinse and wipe dry. Reseal after this method.
- Do not expose engineered stone to sudden and rapid temperature changes.
- Note: engineered stone products are not recommended for steam showers.
- Contact a professional stone restoration company to treat any engineered stone with stubborn stains and/or etching.

How to install:

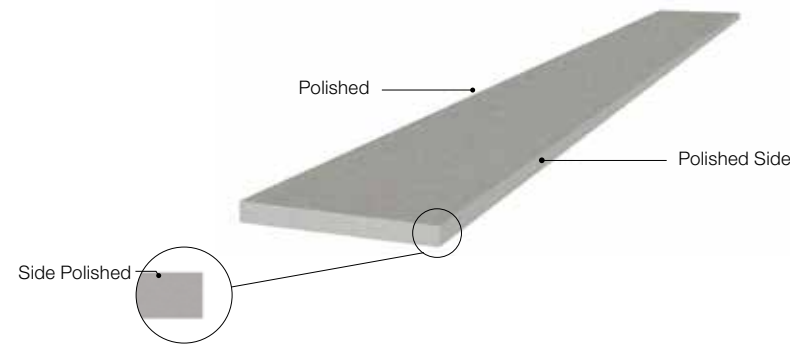
1. Cut the engineered stone (face side up) to the required dimensions with a circular saw, or wet saw. DO NOT USE DRY CUTTING METHODS. Wear a respirator when cutting, grinding, or polishing. Children should not be present during cutting, grinding, or polishing.
2. There are several choices for the framing construction on which the engineered stone must rest upon. After-market and pre-fabricated benches can be used, or a rigid structure can be created with the use of a suitable substrate and a waterproof membrane. Consult a certified contractor for local building codes.
3. A free floating bench installation cannot be used with this engineered stone.
4. Ensure that the top of the bench is sloped with a 1/4" angle toward the front of the bench to allow proper drainage of liquid.
5. Maintain plastic covering to protect during installation.
6. Install the engineered stone bench top using a premium, unmodified thinset.
7. Important notes: waterproofing on the walls must be continuous from the wall, over the top of the bench sub-structure, and down over the face. The top of the bench must be sloped towards the drain. If using a wooden bench frame, waterproofing is required and must be tied into the floor and wall membranes.

NOTE: NO CLAIMS WILL BE ACCEPTED AFTER THE MATERIAL HAS BEEN INSTALLED.



Installation Diagram

Marmiline, Engineered Stone Niche Sill



Pre-Sealed:

Marmiline is pre-sealed to improve resistance to common staining agents. Sealing does not prevent etching – avoid acids, strong chemicals and sodium softened water which can etch Marmiline, marble, and other calcium-based stones. Reseal as needed for prolonged performance.

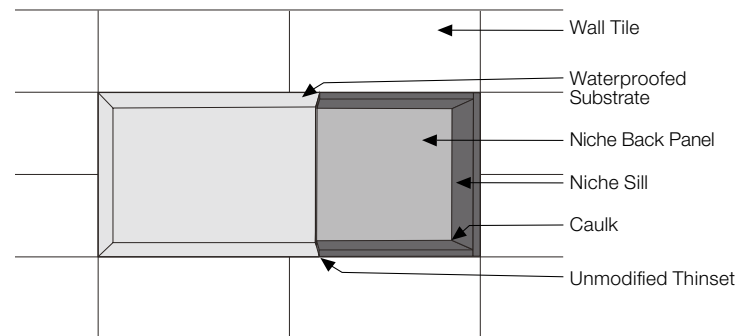
General Care & Maintenance:

- Wipe up any spills immediately and clean the area using a damp cloth.
- Inspect all product prior to installation by removing plastic for any color/shade variation and verifying size, thickness, bevel, and polishing defects.
- Do not expose engineered stone to: acidic or alkali products, dyes or color-treating products, or products containing any oils or powders.
- Daily cleaning: use a soft cloth with warm water and small amount of mild PH neutral non-pigmented cleaner (non-abrasive and does not contain bleach).
- Do not use abrasives or any products that may scratch the surface.
- For light stains, gently apply rubbing alcohol to the stain. Rinse and wipe dry. Reseal after this method.
- For heavier stains, soak a cloth with a 50/50 mix of bleach and water. Leave on top of the stain for 10 minutes, but no longer than 30 minutes. Rinse and wipe dry. Reseal after this method.
- Do not expose engineered stone to sudden and rapid temperature changes.
- Note: engineered stone products are not recommended for steam showers.
- Contact a professional stone restoration company to treat any engineered stone with stubborn stains and/or etching.

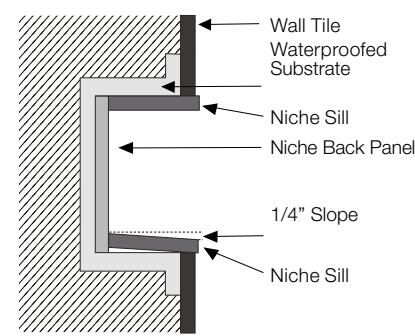
How to install:

1. Cut the engineered stone (face side up) to the required dimensions with a circular saw, or wet saw. DO NOT USE DRY CUTTING METHODS. Wear a respirator when cutting, grinding, or polishing. Children should not be present during cutting, grinding, or polishing. It is recommended to set the niche sill first before measuring the size of the niche back.
2. Clean surface thoroughly prior to adhering the threshold to the prepared and waterproofed niche (refer to niche manufacture instructions or local building codes).
3. Maintain plastic covering to protect during installation.
4. Adhere to the prepared niche using an unmodified polymer thinset or thinset as recommended by the waterproof system manufacturer.
5. Caulk all corners of the finished niche to prevent water leaks.

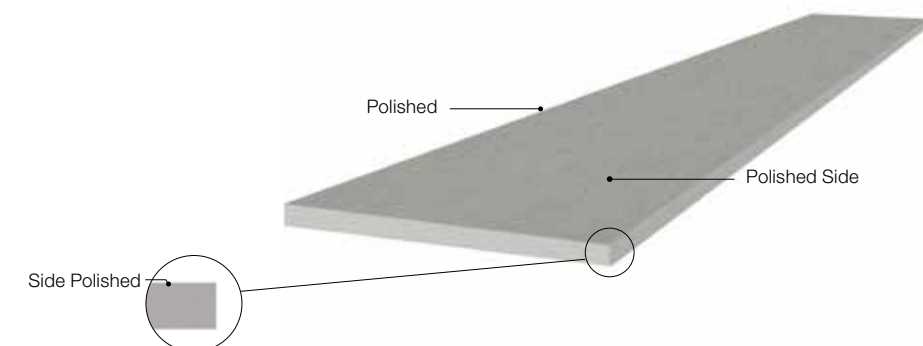
NOTE: NO CLAIMS WILL BE ACCEPTED AFTER THE MATERIAL HAS BEEN INSTALLED.



Installation Diagram



Marmiline, Engineered Stone Niche Back Panel



Pre-Sealed:

Marmiline is pre-sealed to improve resistance to common staining agents. Sealing does not prevent etching – avoid acids, strong chemicals and sodium softened water which can etch Marmiline, marble, and other calcium-based stones. Reseal as needed for prolonged performance.

General Care & Maintenance:

- Wipe up any spills immediately and clean the area using a damp cloth.
- Inspect all product prior to installation by removing plastic for any color/shade variation and verifying size, thickness, bevel, and polishing defects.
- Do not expose engineered stone to: acidic or alkali products, dyes or color-treating products, or products containing any oils or powders.
- Daily cleaning: use a soft cloth with warm water and small amount of mild PH neutral non-pigmented cleaner (non-abrasive and does not contain bleach).
- Do not use abrasives or any products that may scratch the surface.
- For light stains, gently apply rubbing alcohol to the stain. Rinse and wipe dry. Reseal after this method.
- For heavier stains, soak a cloth with a 50/50 mix of bleach and water. Leave on top of the stain for 10 minutes, but no longer than 30 minutes. Rinse and wipe dry. Reseal after this method.
- Do not expose engineered stone to sudden and rapid temperature changes.
- Note: engineered stone products are not recommended for steam showers.
- Contact a professional stone restoration company to treat any engineered stone with stubborn stains and/or etching.

How to install:

1. Cut the engineered stone (face side up) to the required dimensions with a circular saw, or wet saw. DO NOT USE DRY CUTTING METHODS. Wear a respirator when cutting, grinding, or polishing. Children should not be present during cutting, grinding, or polishing. It is recommended to set the niche sill first before measuring the size of the niche back.
2. Clean surface thoroughly prior to adhering the threshold to the prepared and waterproofed niche (refer to niche manufacture instructions or local building codes).
3. Maintain plastic covering to protect during installation.
4. Adhere to the prepared niche using an unmodified polymer thinset or thinset as recommended by the waterproof system manufacturer.
5. Caulk all corners of the finished niche to prevent water leaks.

NOTE: NO CLAIMS WILL BE ACCEPTED AFTER THE MATERIAL HAS BEEN INSTALLED.

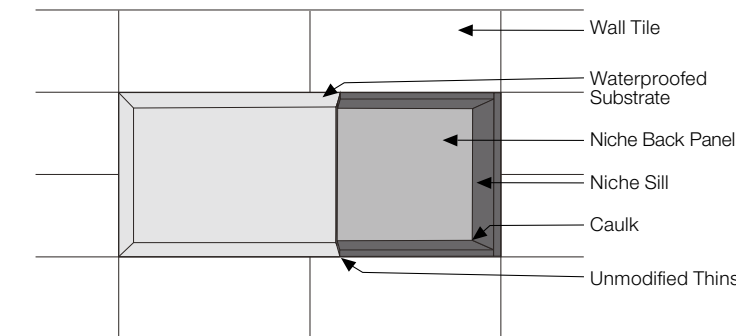
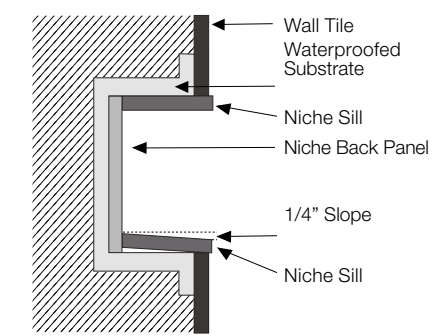
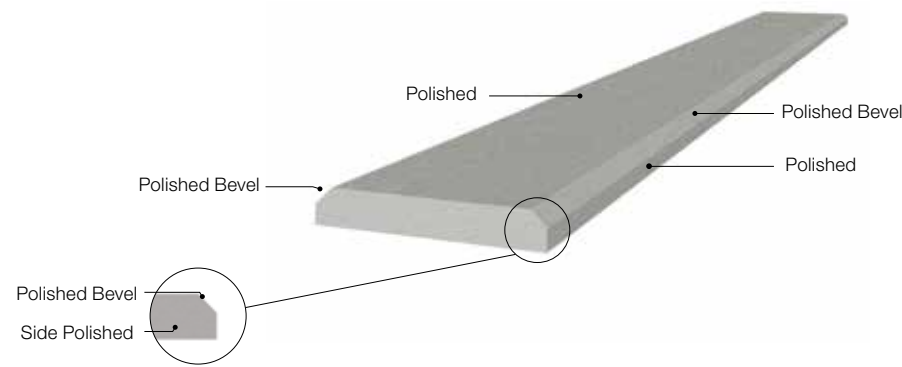


Fig.1 Installation Diagram



Marmiline, Engineered Stone Threshold



Pre-Sealed:

Marmiline is pre-sealed to improve resistance to common staining agents. Sealing does not prevent etching – avoid acids, strong chemicals and sodium softened water which can etch Marmiline, marble, and other calcium-based stones. Reseal as needed for prolonged performance.

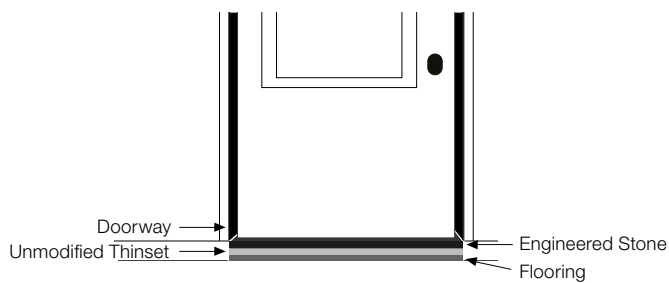
General Care & Maintenance:

- Wipe up any spills immediately and clean the area using a damp cloth.
- Inspect all product prior to installation by removing plastic for any color/shade variation and verifying size, thickness, bevel, and polishing defects.
- Do not expose engineered stone to: acidic or alkali products, dyes or color-treating products, or products containing any oils or powders.
- Daily cleaning: use a soft cloth with warm water and small amount of mild PH neutral non-pigmented cleaner (non-abrasive and does not contain bleach).
- Do not use abrasives or any products that may scratch the surface.
- For light stains, gently apply rubbing alcohol to the stain. Rinse and wipe dry. Reseal after this method.
- For heavier stains, soak a cloth with a 50/50 mix of bleach and water. Leave on top of the stain for 10 minutes, but no longer than 30 minutes. Rinse and wipe dry. Reseal after this method.
- Do not expose engineered stone to sudden and rapid temperature changes.
- Note: engineered stone products are not recommended for steam showers.
- Contact a professional stone restoration company to treat any engineered stone with stubborn stains and/or etching.

How to install:

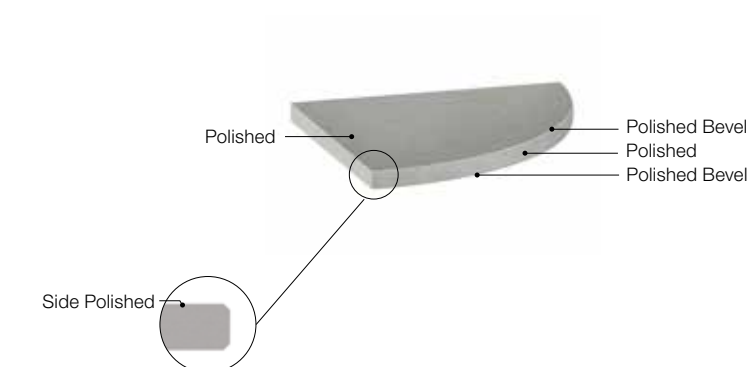
1. Clean the area of installation by sweeping or vacuuming thoroughly, ensuring that no dirt or debris is in the area. Clean surface thoroughly prior to adhering the threshold.
2. Cut the engineered stone (face side up) to the required dimensions with a circular saw, or wet saw. DO NOT USE DRY CUTTING METHODS. Wear a respirator when cutting, grinding, or polishing. Children should not be present during cutting, grinding, or polishing.
3. Maintain plastic covering to protect during installation.
4. Spread a thin layer of unmodified thinset directly onto area of installation, using a ¼" inch notched trowel to spread evenly.
5. Adhere threshold to installation area onto thinset, ensuring that it is lined up correctly before pushing firmly to secure.
6. Wait for thinset to cure as per the manufacturer's instructions before use.

NOTE: NO CLAIMS WILL BE ACCEPTED AFTER THE MATERIAL HAS BEEN INSTALLED.



Installation Diagram

Marmiline, Engineered Stone Round Corner Shelf



Pre-Sealed:

Marmiline is pre-sealed to improve resistance to common staining agents. Sealing does not prevent etching – avoid acids, strong chemicals and sodium softened water which can etch Marmiline, marble, and other calcium-based stones. Reseal as needed for prolonged performance.

General Care & Maintenance:

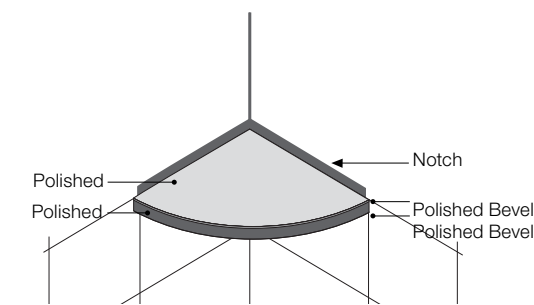
- Wipe up any spills immediately and clean the area using a damp cloth.
- Inspect all product prior to installation by removing plastic for any color/shade variation and verifying size, thickness, bevel, and polishing defects.
- Do not expose engineered stone to: acidic or alkali products, dyes or color-treating products, or products containing any oils or powders.
- Daily cleaning: use a soft cloth with warm water and small amount of mild PH neutral non-pigmented cleaner (non-abrasive and does not contain bleach).
- Do not use abrasives or any products that may scratch the surface.
- For light stains, gently apply rubbing alcohol to the stain. Rinse and wipe dry. Reseal after this method.
- For heavier stains, soak a cloth with a 50/50 mix of bleach and water. Leave on top of the stain for 10 minutes, but no longer than 30 minutes. Rinse and wipe dry. Reseal after this method.
- Do not expose engineered stone to sudden and rapid temperature changes.
- Note: engineered stone products are not recommended for steam showers.
- Contact a professional stone restoration company to treat any engineered stone with stubborn stains and/or etching.

How to install:

NOTE: Installation of corner shower shelf should be done at time of tiling of bathtub wall tiles to ensure easy and correct installation.

1. Clean the installation area with a neutral cleaner and lint free cloth.
2. Cut the tile to allow the width of the corner shelf to fit. Ensure the shelf is sloped to allow water drainage. DO NOT USE DRY CUTTING METHODS. Wear a respirator when cutting, grinding, or polishing. Children should not be present during cutting, grinding, or polishing.
3. Apply unmodified thinset to the back edge of the shelf, pressing the shelf firmly into the notch while applying even pressure.
4. Use wedge spacers to fit the shelf flush to the upper tile border, and wait for thinset to cure as per the manufacturer's instructions before use.
5. Apply silicone caulk to the top edges of the shelf to seal, using a water finger to smoothen out any excess caulk. Use a damp sponge to clean any excess caulk, carefully using a knife to remove any extra adhesive on the top and bottom of the shelf.

NOTE: NO CLAIMS WILL BE ACCEPTED AFTER THE MATERIAL HAS BEEN INSTALLED.



Installation Diagram



Technical Performance
Avant-garde design and attention to detail.

Unmatched elegance and unparalleled perfection.

